

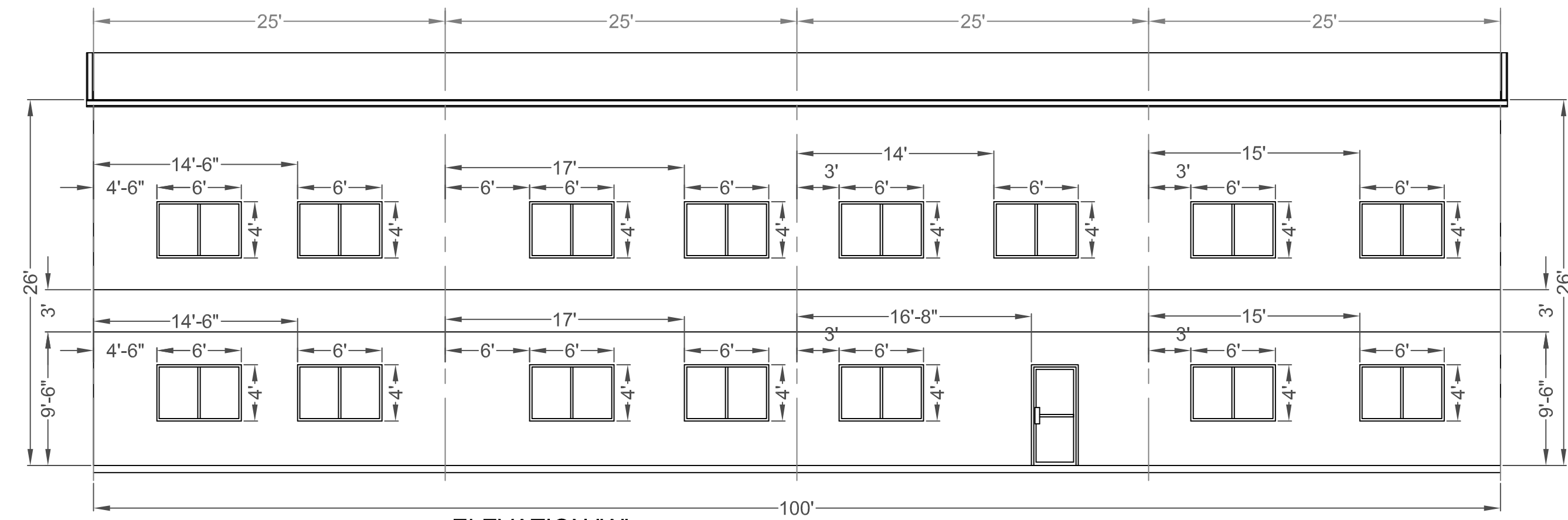
DESTROY ALL COPIES OF THIS DOCUMENT
PRIOR TO THIS DATE: **9 December 2013**

DO NOT SCALE THIS DRAWING
THESE DRAWINGS ARE THE SOLE PROPERTY OF BOYCHUK DESIGN BUILD.
ANY REPRODUCTION OR USE OF THESE DRAWINGS WITHOUT THE WRITTEN PERMISSION OF BOYCHUK DESIGN BUILD.

REV #	DATE	DESCRIPTION

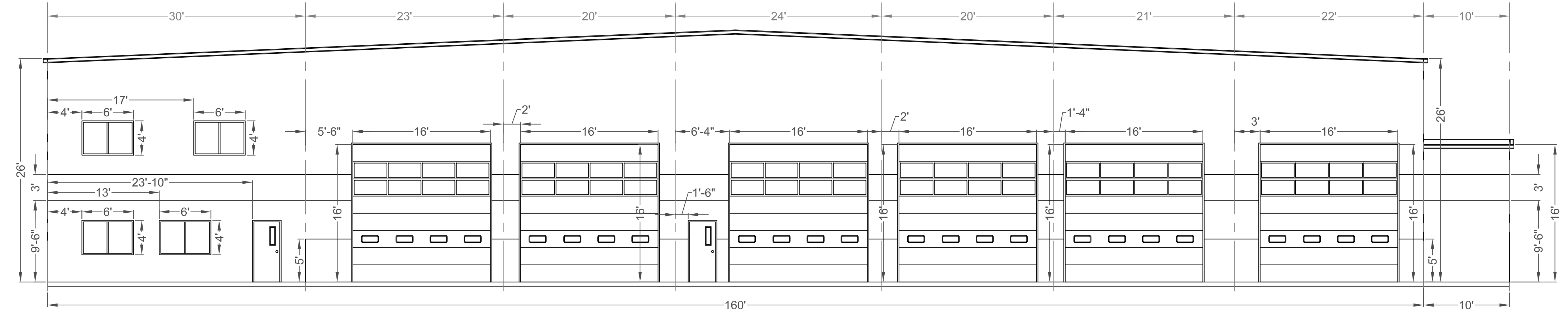


DESIGN: JP	PROJECT NAME: FEHR TROYER GP
DRAWN: JP	LOCATION: GRANDE PRAIRIE, ALBERTA
CHECKED: HF	PROJECT TYPE: SHOP WITH ANCILLARY OFFICES
DATE: NOV 6 / 13	TITLE: ELEVATIONS
SCALE: 1/8" = 1' - 0"	SHEET: A3



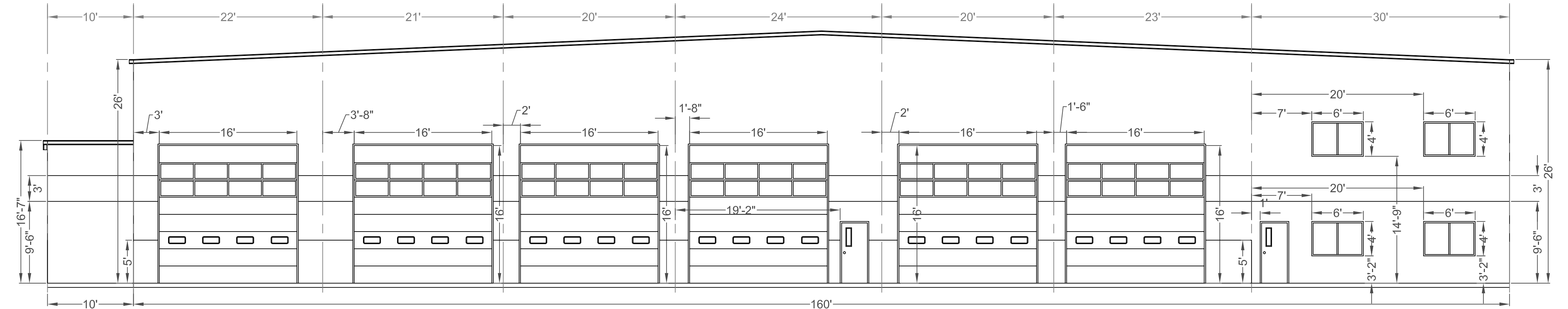
ELEVATION "A"

SCALE: 1/8" = 1' - 0"



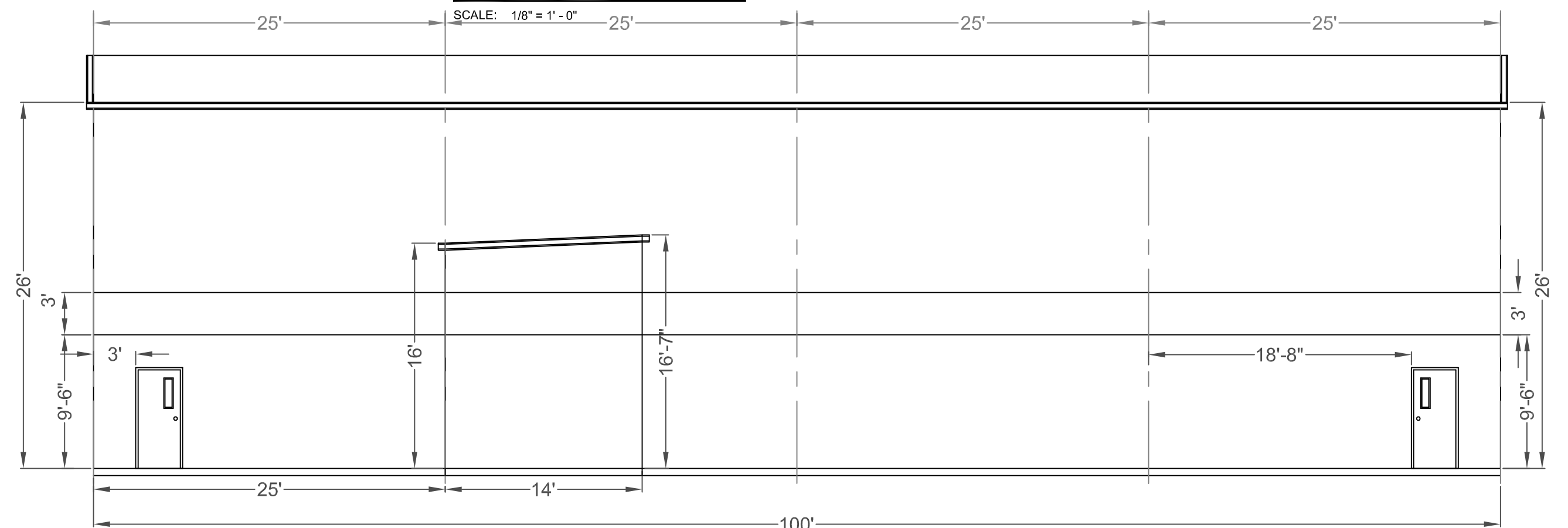
ELEVATION "D"

SCALE: 1/8" = 1' - 0"



ELEVATION "B"

SCALE: 1/8" = 1' - 0"



ELEVATION "C"

SCALE: 1/8" = 1' - 0"

DO NOT SCALE THIS DRAWING
 THESE DRAWINGS ARE THE SOLE PROPERTY OF BOYCHUK DESIGN BUILD.
 ANY REPRODUCTION OR USE OF THESE DRAWINGS REQUIRES THE WRITTEN PERMISSION OF BOYCHUK DESIGN BUILD.

REV #	DATE	DESCRIPTION

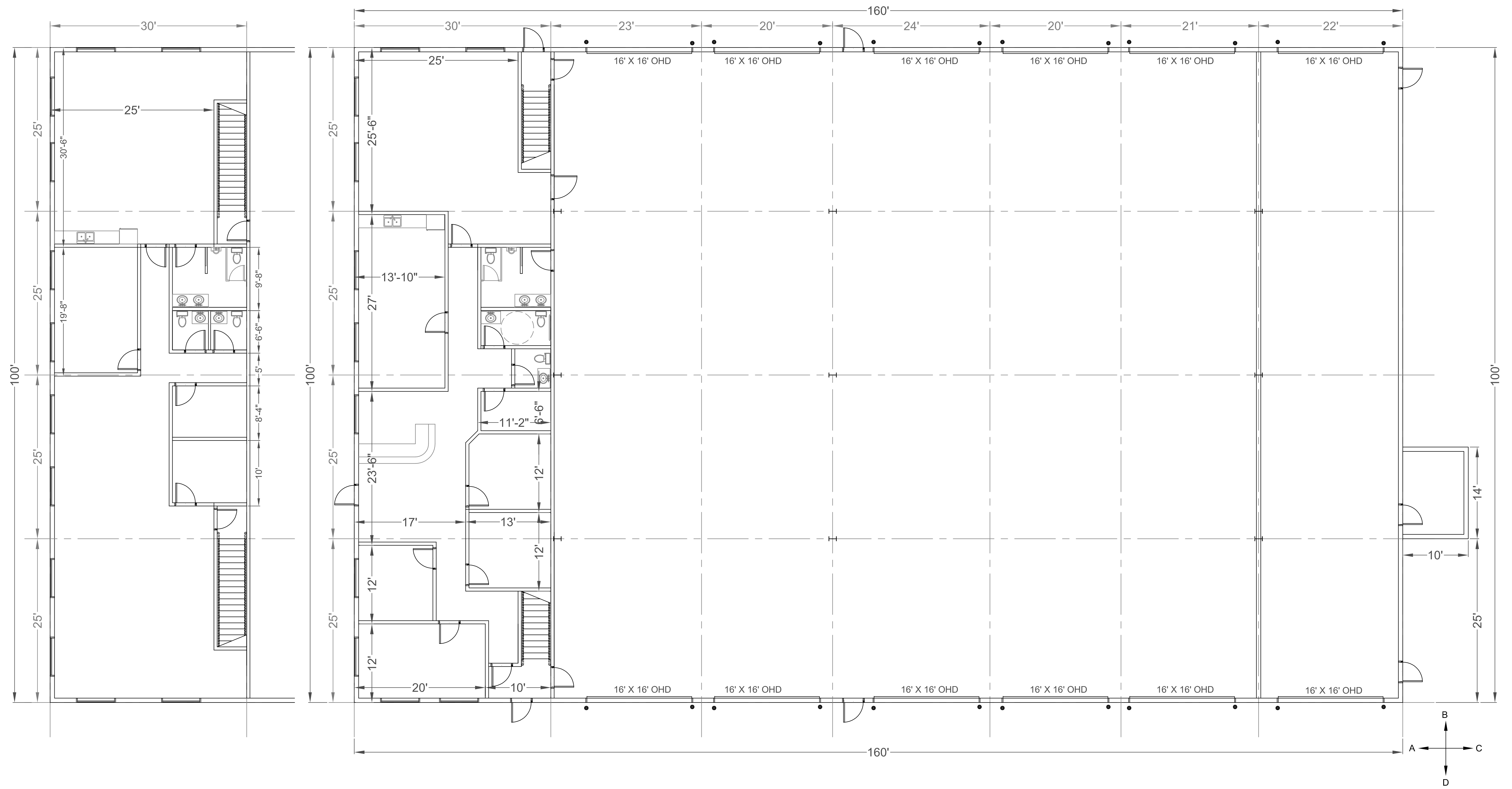
Boychuk DESIGN BUILD

TEL: 403-236-1944
 TOLL: 888-343-8511
 FAX: 403-203-1195

7182 110 AVE S.E.
 CALGARY, ALBERTA
 T2C-9H8

DESIGN: JP	PROJECT NAME: FEHR TROYER GP
DRAWN: JP	LOCATION: GRANDE PRAIRIE, ALBERTA
CHECKED: HF	PROJECT TYPE: SHOP WITH ANCILLARY OFFICES
DATE: NOV 6 / 13	TITLE: ELEVATION DETAILS
SCALE: 1/8" = 1' - 0"	SHEET: A3.1

DESTROY ALL COPIES OF THIS DOCUMENT PRIOR TO THIS DATE: 9 December 2013



DESTROY ALL COPIES OF THIS DOCUMENT
PRIOR TO THIS DATE: **9 December 2013**

REV #	DATE	DESCRIPTION

Boychuk
DESIGN BUILD

TEL: 403-236-1944
TOLL: 888-343-8511
FAX: 403-203-1195

7182 110 AVE S.E.
CALGARY, ALBERTA
T2C-2H8

DESIGN: JP	PROJECT NAME: FEHR TROYER GP
DRAWN: JP	LOCATION: GRANDE PRAIRIE, ALBERTA
CHECKED: HF	PROJECT TYPE: SHOP WITH ANCILLIARY OFFICES
DATE: NOV 6 / 13	TITLE: FLOOR PLAN
SCALE: 1/8" = 1' - 0"	SHEET: A2